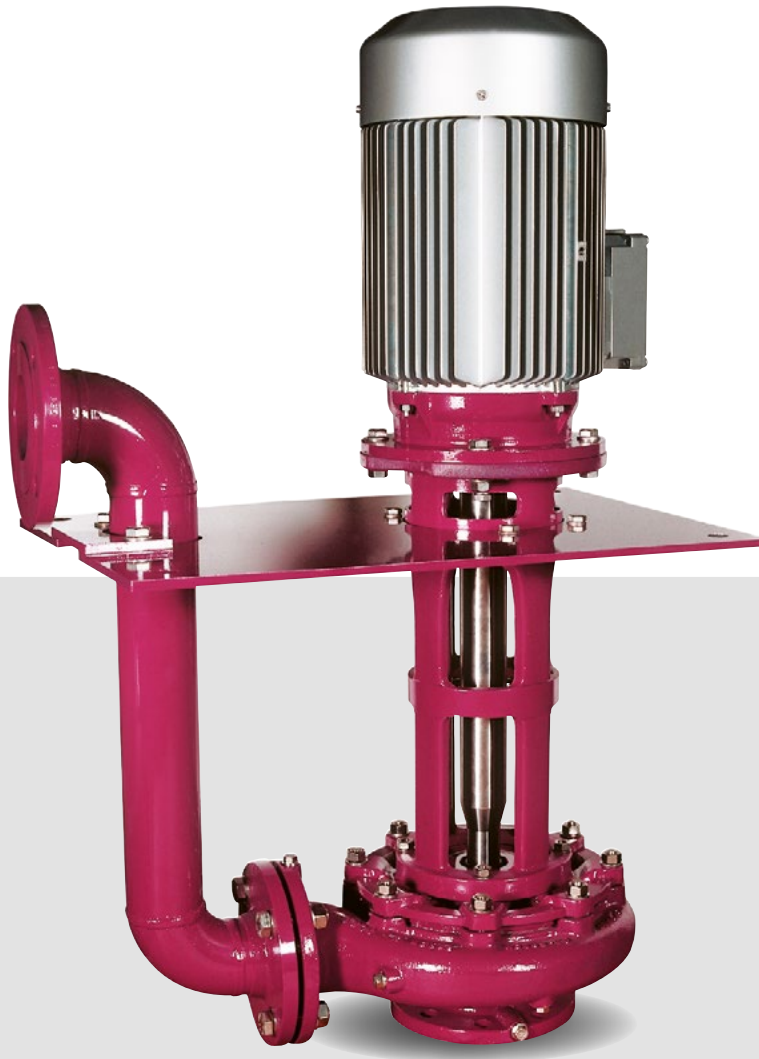
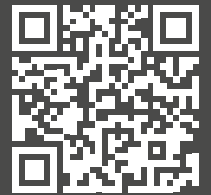


- ▶ Supply pump for machine tools
- ▶ Filter technology
- ▶ Surface technology
- ▶ Process engineering
- ▶ Environmental technology



DOWNLOADS

- ▶ Manual
- ▶ Productinformation



Short description

- ▶ Low pressure immersion pumps type NZ

Low pressure immersion pumps type NZ:

Powerful, reliable and extremely robust!

Individually configurable – according to your requirements.

Features

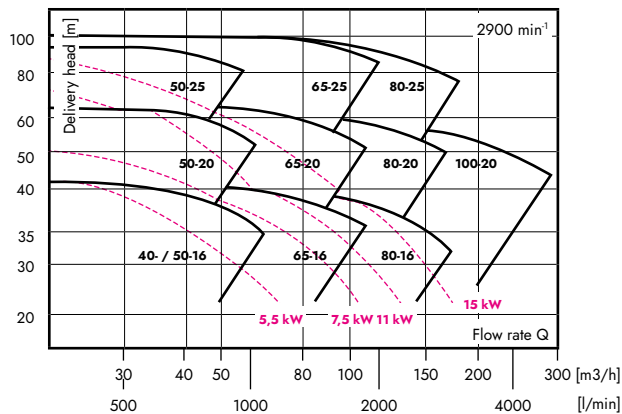
- ▶ Robust design
- ▶ Individually configurable
- ▶ Maintenance-friendly construction
- ▶ High reliability
- ▶ Various immersion depths available (450, 550, 800 or 1050 mm)
- ▶ Characteristic field extendable with frequency converter
- ▶ Free ball passage up to 22 mm
- ▶ Also available with 4-pole motor

Technical data

- ▶ Immersion pump in block construction or with bearing carrier for standard motors
- ▶ For clean or slightly polluted media
- ▶ Flow rate 50 - 7500 l/min
- ▶ Delivery head up to 100 m
- ▶ Material options: cast iron / stainless steel (1.4408 on request)
- ▶ Various sealing options
- ▶ Motors: up to 3 kW 230/400 V 50 Hz, from 4 kW 400/690 V 50 Hz, 460 V 60 Hz, other voltages on request

Performance characteristics

All values for water at 20 °C



Illustration

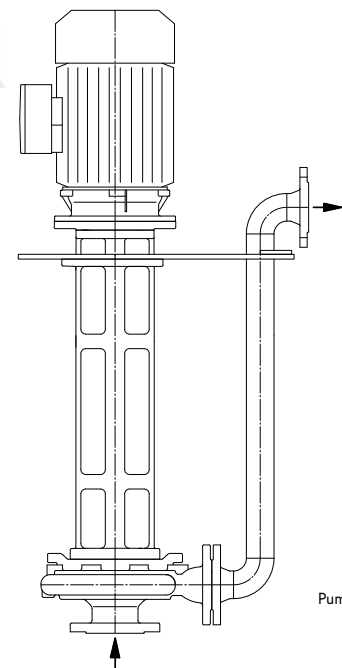


Fig.: Pump type NZ 50-20

Low pressure immersion pumps type NZ are characterized by a maintenance-friendly construction and can be used in a wide variety of applications. 15 sizes are available to make your de-

sign as efficient as possible. Chemically neutral as well as aggressive media, e.g. alkaline solutions, acids, solvents and lubricants can be pumped easily. With over 70 years of experience in industri-

al pump technology, we are a supplier that guarantees reliable quality products. Give us a call, it will be our pleasure to assist you.